

# OTTOLOCK

## Pro Mount

### Assembly & Installation Instructions

#### **To Use:**

1. Comes with Round Tube insert installed, Change to Aero if needed. (*fig.1*)
2. Unhook Tube Straps and Lock Strap. (*fig. 2*)
3. Install Pro Mount to seat post, top tube, or seat tube. (*fig. 3A, fig. 3B*)
4. Insert OTTOLOCK to Mount and secure with Lock Strap. (*fig. 4*)

fig. 1

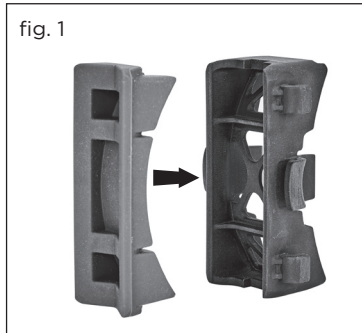


fig. 2

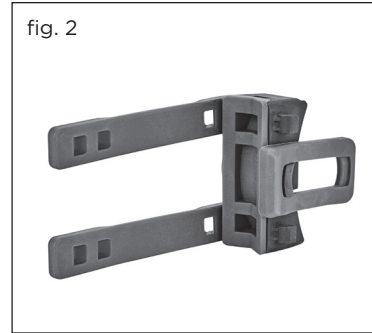


fig. 3A



fig. 3B, Install Options A, B, C.

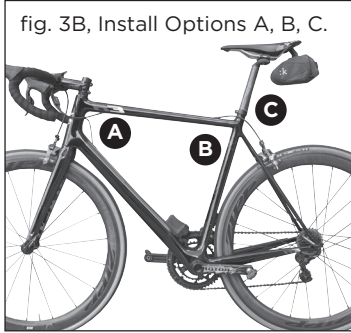


fig. 4

